

## Sealed batteries

### HRL12-130



#### Advantages

- High level of reliability and stability of parameters
- High charge rate, low self-discharge
- Long service life

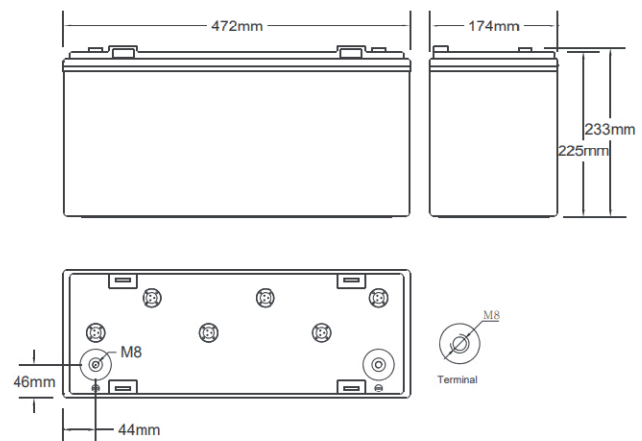
#### Features

- Corrosion-resistant alloy and plate stamping
- Unique double-sided smearing technology, plate welding and other technologies
- Durable ABS plastic and special assembly technology guarantee normal operation without leaks, geometry changes and tears

#### Technical specifications

Rated voltage	12 V
Rated capacity	132 Ah
Weight	42.4 kg
Output Type	M8
Internal resistance	2.8 mΩ
Recommended charging current	19.5 A
Charging voltage	Floating: 2.23 V/Cell Leveling tools: 2.35 V/Cell
Operating temperature range	Discharge: -40°C ~ 50°C Charge: -20°C ~ 45°C Keeping: -20°C ~ 40°C
Housing material	ABS/ABS V0 (option)
Service life	15 years

#### Sizes



#### Characteristics of a constant-power discharge at 25°C, W/element

Final voltage, V/Cell	Discharge time, min											
	5	10	15	20	25	30	60	90	2 h	3 h	6 h	10 h
1.60V	744	645	510	429	368	276	157.8	111.3	95.7	72.2	40.1	26.0
1.67V	692	630	500	421	367	270	156.3	110.1	94.9	71.9	40.0	25.9
1.70V	658	620	492	417	365	267	155.8	109.5	93.1	70.8	39.8	25.8
1.75V	603	590	488	409	363	258	152.5	108.6	92.4	70.2	39.7	25.7
1.80V	543	445	400	303	255	246	146.9	104.8	91.8	69.8	39.6	25.5
1.85V	485	405	355	278	236	223	137.1	97.3	90.5	68.8	39.1	25.3

#### Characteristics of direct current discharge at 25°C, A

Final voltage, V/Cell	Discharge time, min											
	5	10	15	20	25	30	60	90	2 h	3 h	6 h	10 h
1.60V	434	343	260	212	188	159	84.6	59.4	50.8	38.1	21.1	13.5
1.67V	397	315	256	208	186	156	83.4	58.4	50.1	37.8	20.9	13.4
1.70V	376	308	238	204	180	152	82.7	57.8	48.9	37.0	20.7	13.2
1.75V	343	295	234	199	172	146	80.5	57.0	48.3	36.5	20.5	13.1
1.80V	308	234	206	172	140	134	77.1	54.8	47.8	36.1	20.4	13.0
1.85V	269	208	186	156	125	124	71.7	50.6	46.8	35.4	20.0	12.7