

## Sealed batteries

### HRL12-140



#### Advantages

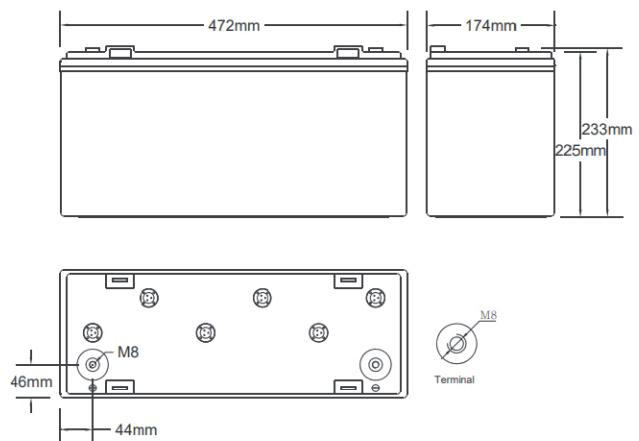
- High level of reliability and stability of parameters
- High charge rate, low self-discharge
- Long service life

#### Features

- Corrosion-resistant alloy and plate stamping
- Unique double-sided smearing technology, plate welding and other technologies
- Durable ABS plastic and special assembly technology guarantee normal operation without leaks, geometry changes and tears

Technical specifications	
Rated voltage	12 V
Rated capacity	144 Ah
Weight	44.5 kg
Output Type	M8
Internal resistance	2.5 mΩ
Recommended charging current	21 A
Charging voltage	Floating: 2.23 V/ell Leveling tools: 2.35 V/ell
Operating temperature range	Discharge: -40°C ~ 50°C Charge: -20°C ~ 45°C Keeping: -20°C ~ 40°C
Housing material	ABS/ABS V0 (option)
Service life	15 years

#### Sizes



#### Characteristics of a constant-power discharge at 25°C, W/element

Final voltage, V/ell	Discharge time, min											
	5	10	15	20	25	30	60	90	2 h	3 h	6 h	10 h
1.60V	819	688	560	465	405	303	173.6	122.4	105.3	79.5	44.1	28.6
1.67V	761	680	550	458	403	297	172.0	121.1	104.4	79.1	44.0	28.5
1.70V	723	675	542	453	402	293	171.4	120.4	102.4	77.9	43.8	28.4
1.75V	663	642	519	436	399	284	167.8	119.4	101.6	77.2	43.7	28.3
1.80V	597	460	413	334	271	267	161.5	115.3	101.0	76.8	43.5	28.1
1.85V	524	413	367	306	260	245	150.9	107.1	99.5	75.7	43.0	28.0

#### Characteristics of direct current discharge at 25°C, A

Final voltage, V/ell	Discharge time, min											
	5	10	15	20	25	30	60	90	2 h	3 h	6 h	10 h
1.60V	468	370	280	229	203	171	91.1	63.9	54.7	41.1	22.7	14.6
1.67V	427	339	275	224	201	168	89.8	62.9	53.9	40.7	22.5	14.5
1.70V	405	331	257	219	194	163	89.0	62.3	52.6	39.9	22.3	14.4
1.75V	370	317	252	215	185	157	86.7	61.4	52.0	39.3	22.1	14.1
1.80V	331	252	222	185	150	145	83.1	59.0	51.4	38.9	21.9	14.0
1.85V	289	224	201	168	134	133	77.2	54.5	50.4	38.2	21.6	13.9