

Sealed batteries

HRL12-190



Advantages

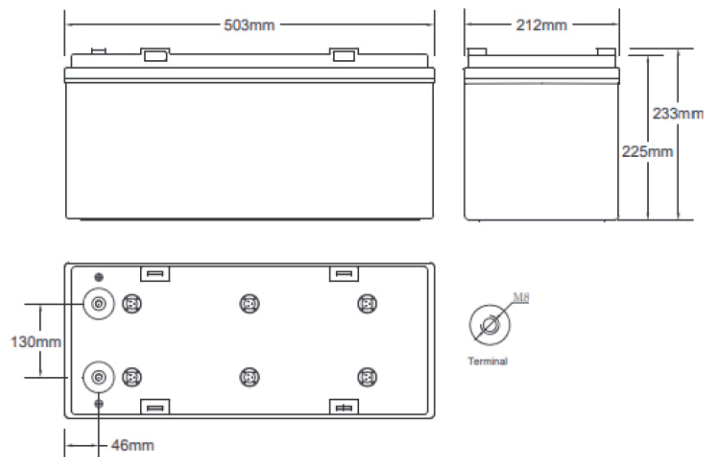
- High level of reliability and stability of parameters
- High charge rate, low self-discharge
- Long service life

Features

- Corrosion-resistant alloy and plate stamping
- Unique double-sided smearing technology, plate welding and other technologies
- Durable ABS plastic and special assembly technology guarantee normal operation without leaks, geometry changes and tears

Technical specifications	
Rated voltage	12 V
Rated capacity	193 Ah
Weight	60.5 kg
Output Type	M8
Internal resistance	2.1 mΩ
Recommended charging current	28.5 A
Charging voltage	Floating: 2.23 V/ell Leveling tools: 2.35 V/ell
Operating temperature range	Discharge: -40°C ~ 50°C Charge: -20°C ~ 45°C Keeping: -20°C ~ 40°C
Housing material	ABS/ABS V0 (option)
Service life	15 years

Sizes



Characteristics of a constant-power discharge at 25°C, W/element

Final voltage, V/ell	Discharge time, min											
	5	10	15	20	25	30	60	90	2 h	3 h	6 h	10 h
1.60V	956	910	759	598	520	389	233.5	172.9	138.8	107.4	65.5	40.1
1.67V	947	900	750	593	516	385	229.7	170.4	137.6	106.3	65.1	39.8
1.70V	938	870	703	591	513	382	227.2	167.9	135.1	104.3	64.7	38.6
1.75V	896	850	675	585	508	375	224.7	165.4	135.0	103.4	64.1	38.3
1.80V	736	670	619	450	368	332	218.4	164.1	133.8	102.8	63.5	38.1
1.85V	727	650	563	403	345	314	204.5	157.8	132.6	101.7	61.1	37.9

Характеристики разряда постоянным током при 25°C, А

Final voltage, V/ell	Discharge time, min											
	5	10	15	20	25	30	60	90	2 h	3 h	6 h	10 h
1.60V	515	475	370	304	247	223	130.4	87.8	76.0	54.8	31.8	19.5
1.67V	497	467	366	299	244	219	127.9	86.5	75.1	54.3	31.5	19.4
1.70V	484	456	364	295	242	214	126.7	83.6	73.2	53.2	31.2	19.3
1.75V	442	432	340	285	238	204	120.4	81.8	72.2	52.4	30.9	19.2
1.80V	403	333	316	219	190	178	117.2	80.0	71.3	51.9	30.5	19.0
1.85V	380	323	287	200	172	164	107.0	75.7	69.4	50.9	29.2	18.8