

## Sealed batteries

### HRL12-40



#### Advantages

- High level of reliability and stability of parameters
- High charge rate, low self-discharge
- Long service life

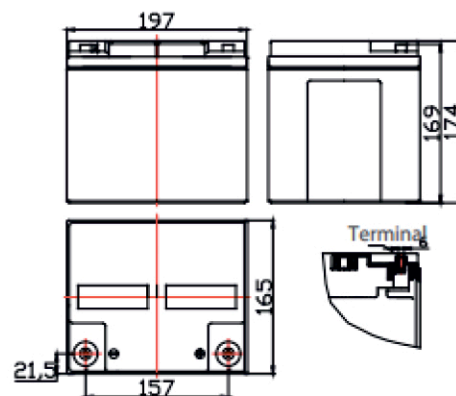
#### Features

- Corrosion-resistant alloy and plate stamping
- Unique double-sided smearing technology, plate welding and other technologies
- Durable ABS plastic and special assembly technology guarantee normal operation without leaks, geometry changes and tears

#### Technical specifications

Rated voltage	12 V
Rated capacity	42 Ah
Weight	13.2 kg
Output Type	M6
Internal resistance	8 mΩ
Recommended charging current	8 A
Charging voltage	Floating: 2.25 V/ell Leveling tools: 2.35 V/ell
Operating temperature range	Discharge: -40°C ~ 50°C Charge: -20°C ~ 45°C Keeping: -20°C ~ 40°C
Housing material	ABS/ABS V0 (option)
Service life	10 years

#### Sizes



#### Characteristics of a constant-power discharge at 25°C, W/element

Final voltage, V/ell	Discharge time, min													
	5	10	15	30	1 h	1,5 h	2 h	2,5 h	3 h	4 h	6 h	8 h	10 h	20 h
1.60V	247	183	142	88.1	49.5	34.5	27.8	24.7	21.5	16.5	12.7	9.92	8.71	4.78
1.67V	242	179	141	87.5	49.2	34.3	27.6	24.5	21.3	16.4	12.5	9.81	8.63	4.76
1.70V	237	177	138	86.6	49.0	33.7	27.1	24.1	21.0	16.3	12.1	9.57	8.43	4.74
1.75V	221	165	129	84.5	48.9	33.3	27.0	23.9	20.7	16.2	11.9	9.49	8.16	4.70
1.80V	198	148	124	82.9	48.3	33.0	26.8	23.7	20.6	16.0	11.8	9.27	8.02	4.62
1.85V	178	143	111	80.0	47.7	31.7	26.5	23.5	20.4	15.8	11.7	8.94	7.93	4.57

#### Characteristics of direct current discharge at 25°C, A

Final voltage, V/ell	Discharge time, min													
	5	10	15	30	1 h	1,5 h	2 h	2,5 h	3 h	4 h	6 h	8 h	10 h	20 h
1.60V	143	106	82.0	50.9	28.6	17.2	14.7	12.6	11.4	8.41	6.25	4.95	4.36	2.19
1.67V	140	103	80.9	50.3	28.3	16.9	14.5	12.4	11.2	8.34	6.16	4.92	4.33	2.17
1.70V	134	100	78.2	48.9	27.7	16.5	14.2	12.0	10.8	8.26	6.02	4.85	4.27	2.14
1.75V	122	91.2	71.2	46.7	27.0	16.0	14.0	11.8	10.6	8.25	6.00	4.76	4.15	2.11
1.80V	107	80.2	67.2	44.8	26.1	15.7	13.8	11.7	10.5	8.15	5.95	4.62	4.09	2.08
1.85V	93.5	75.3	58.5	42.1	25.1	14.8	13.5	11.4	10.3	7.96	5.83	4.53	3.94	2.04