



Advantages

- High level of reliability and stability of parameters
- High charge rate, low self-discharge
- Long service life

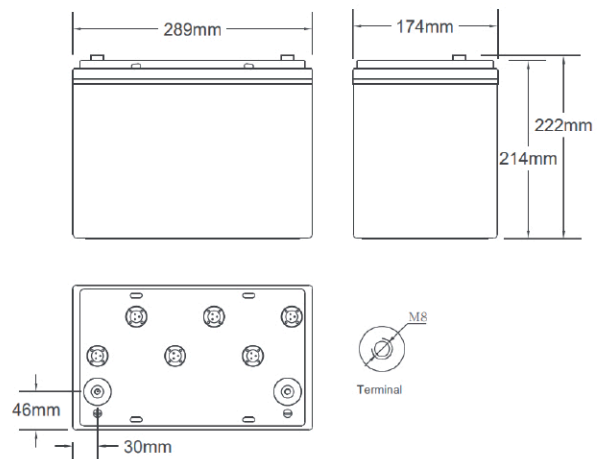
Features

- Corrosion-resistant alloy and plate stamping
- Unique double-sided smearing technology, plate welding and other technologies
- Durable ABS plastic and special assembly technology guarantee normal operation without leaks, geometry changes and tears

Technical specifications

Rated voltage	12 V
Rated capacity	82 Ah
Weight	26.5 kg
Output Type	M8
Internal resistance	3.8 mΩ
Recommended charging current	12 A
Charging voltage	Floating: 2.23 V/ell Leveling tools: 2.35 V/ell
Operating temperature range	Discharge: -40°C ~ 50°C Charge: -20°C ~ 45°C Keeping: -20°C ~ 40°C
Housing material	ABS/ABS V0 (option)
Service life	15 years

Sizes



Characteristics of a constant-power discharge at 25°C, W/element

Final voltage, V/ell	Discharge time, min											
	5	10	15	20	25	30	60	90	2 h	3 h	6 h	10 h
1.60V	531	403	333	273	227	201	99.8	76.9	60.3	42.0	23.8	15.2
1.67V	506	399	320	267	221	192	95.8	74.9	59.4	41.6	23.2	15.1
1.70V	497	394	316	263	216	186	93.3	72.0	58.6	41.1	22.8	15.0
1.75V	732	391	311	261	212	177	88.3	68.0	57.7	40.6	22.4	14.9
1.80V	386	373	291	243	202	164	82.2	64.0	56.7	40.1	22.2	14.8
1.85V	339	335	266	224	185	155	78.0	61.1	54.8	38.8	21.4	14.7

Characteristics of direct current discharge at 25°C, A

Final voltage, V/ell	Discharge time, min											
	5	10	15	20	25	30	60	90	2 h	3 h	6 h	10 h
1.60V	320	232	193	146	124	110	56.4	43.2	33.7	23.4	13.2	8.4
1.67V	303	223	180	141	120	104	53.9	41.9	33.1	23.0	12.8	8.3
1.70V	293	219	174	138	117	101	52.2	40.1	32.4	22.7	12.5	8.2
1.75V	254	217	173	135	112	95	49.2	37.7	31.8	22.3	12.2	8.1
1.80V	226	208	155	130	108	89	45.5	35.3	31.1	21.9	12.0	8.0
1.85V	196	192	141	118	99	83	43.0	33.5	29.9	21.1	11.6	7.9