



| Technical specifications | |
|------------------------------|--|
| Rated voltage | 12 V |
| Rated capacity | 87 Ah |
| Weight | 28.5 kg |
| Output Type | M8 |
| Internal resistance | 3.4 mΩ |
| Recommended charging current | 12.8 A |
| Charging voltage | Floating: 2.23 V/ℓ Leveling tools: 2.35 V/ℓ |
| Operating temperature range | Discharge: -40°C ~ 50°C Charge: -20°C ~ 45°C Keeping: -20°C ~ 40°C |
| Housing material | ABS/ABS V0 (option) |
| Service life | 15 years |

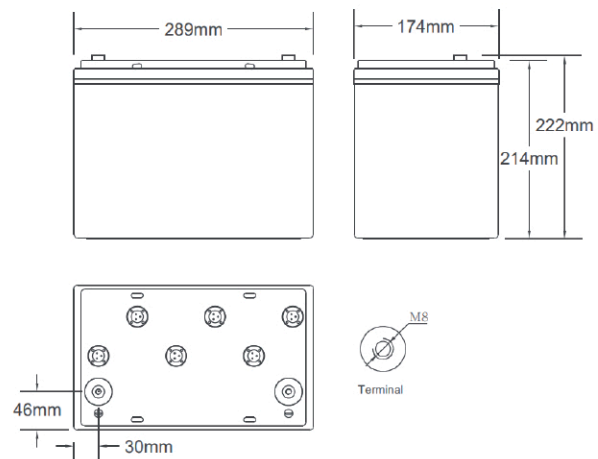
Advantages

- High level of reliability and stability of parameters
- High charge rate, low self-discharge
- Long service life

Features

- Corrosion-resistant alloy and plate stamping
- Unique double-sided smearing technology, plate welding and other technologies
- Durable ABS plastic and special assembly technology guarantee normal operation without leaks, geometry changes and tears

Sizes



Characteristics of a constant-power discharge at 25°C, W/element

| Final voltage, V/ℓ | Discharge time, min | | | | | | | | | | | |
|--------------------|---------------------|-----|-----|-----|-----|-----|-------|------|------|------|------|------|
| | 5 | 10 | 15 | 20 | 25 | 30 | 60 | 90 | 2 h | 3 h | 6 h | 10 h |
| 1.60V | 620 | 470 | 400 | 318 | 265 | 235 | 116.5 | 89.7 | 70.4 | 49.1 | 27.7 | 17.7 |
| 1.67V | 590 | 465 | 390 | 312 | 258 | 224 | 111.8 | 87.3 | 69.3 | 48.5 | 27.1 | 17.6 |
| 1.70V | 580 | 460 | 380 | 307 | 252 | 217 | 108.8 | 84.0 | 68.3 | 48.0 | 26.6 | 17.5 |
| 1.75V | 504 | 456 | 363 | 305 | 247 | 206 | 103.0 | 79.4 | 67.3 | 47.4 | 26.1 | 17.4 |
| 1.80V | 450 | 435 | 339 | 283 | 236 | 191 | 95.9 | 74.7 | 66.2 | 46.8 | 25.9 | 17.3 |
| 1.85V | 395 | 391 | 310 | 261 | 216 | 181 | 91.0 | 71.3 | 63.9 | 45.2 | 25.0 | 17.1 |

Characteristics of direct current discharge at 25°C, A

| Final voltage, V/ℓ | Discharge time, min | | | | | | | | | | | |
|--------------------|---------------------|-----|-----|-----|-----|-----|------|------|------|------|------|------|
| | 5 | 10 | 15 | 20 | 25 | 30 | 60 | 90 | 2 h | 3 h | 6 h | 10 h |
| 1.60V | 340 | 247 | 205 | 155 | 132 | 117 | 60.0 | 46.0 | 35.9 | 24.9 | 14.0 | 8.9 |
| 1.67V | 322 | 237 | 192 | 150 | 128 | 111 | 57.3 | 44.6 | 35.2 | 24.5 | 13.6 | 8.8 |
| 1.70V | 312 | 233 | 185 | 147 | 124 | 107 | 55.5 | 42.7 | 34.5 | 24.1 | 13.3 | 8.7 |
| 1.75V | 270 | 231 | 184 | 144 | 119 | 101 | 52.3 | 40.1 | 33.8 | 23.7 | 13.0 | 8.6 |
| 1.80V | 240 | 221 | 165 | 138 | 115 | 95 | 48.4 | 37.5 | 33.1 | 23.3 | 12.8 | 8.5 |
| 1.85V | 208 | 204 | 150 | 125 | 105 | 88 | 45.7 | 35.6 | 31.8 | 22.4 | 12.3 | 8.4 |